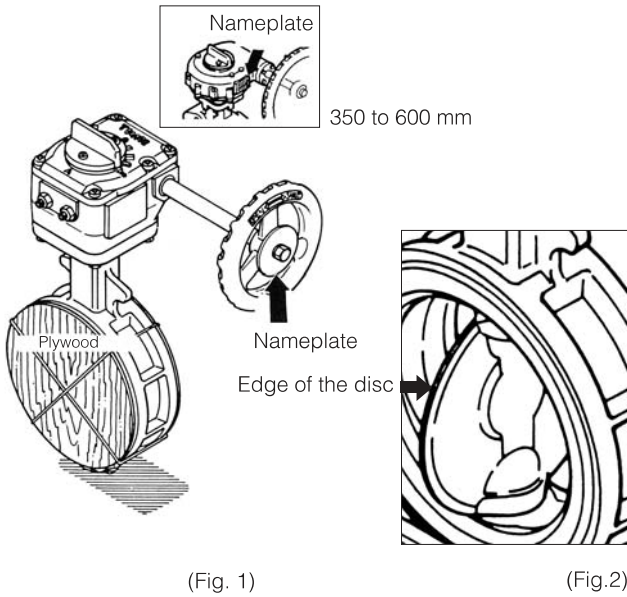


PACKAGING



(1) For 40 to 300 mm, standard gear type and lever type off-the-shelf products are packed in cardboard or wooden boxes. For products other than these, a plywood protective plate is attached to the flange face of the valve body (piping flange contact surface) in order to protect the inside of the valve. (Fig. 1)

(2) The valve is kept open about 10 degrees from its closed position when shipped.

(3) Some silicon oil is applied on the edge of the disc. (Fig. 2)

(4) The valve has a nameplate with which you can verify information such as the nominal size and material. (Fig. 1)

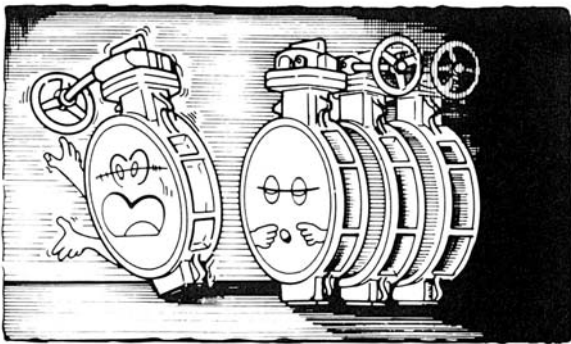
(For lock lever type, this information is provided on the indicator.)

TRANSPORT

(1) Use containers for ocean transport.

(2) Use a covered vehicle for inland transport. If an uncovered vehicle is used, be sure to cover the valves with a protective tarp.

STORAGE



(Fig.3)

(1) When storing valves, keep them indoors in as cool and dark a place as possible (temperature: -10 to +60 degrees C, humidity: 70% or less) without removing the cardboard packaging or the protective plate attached to the valve.

(2) For long periods of storage, apply FERROGUARD (use designated product) once per year to the plated parts (indicator, bolts, nuts, handle shaft, etc.).

(3) Operate the valve once every three months.

(4) When storing unpackaged butterfly valves, make sure that no unreasonable load is being applied to the valve body and drive member. (Fig. 3)

UNPACKING

(1) Unpack the valve immediately before installing it into the piping. Do not leave the valve unpacked for long periods of time.